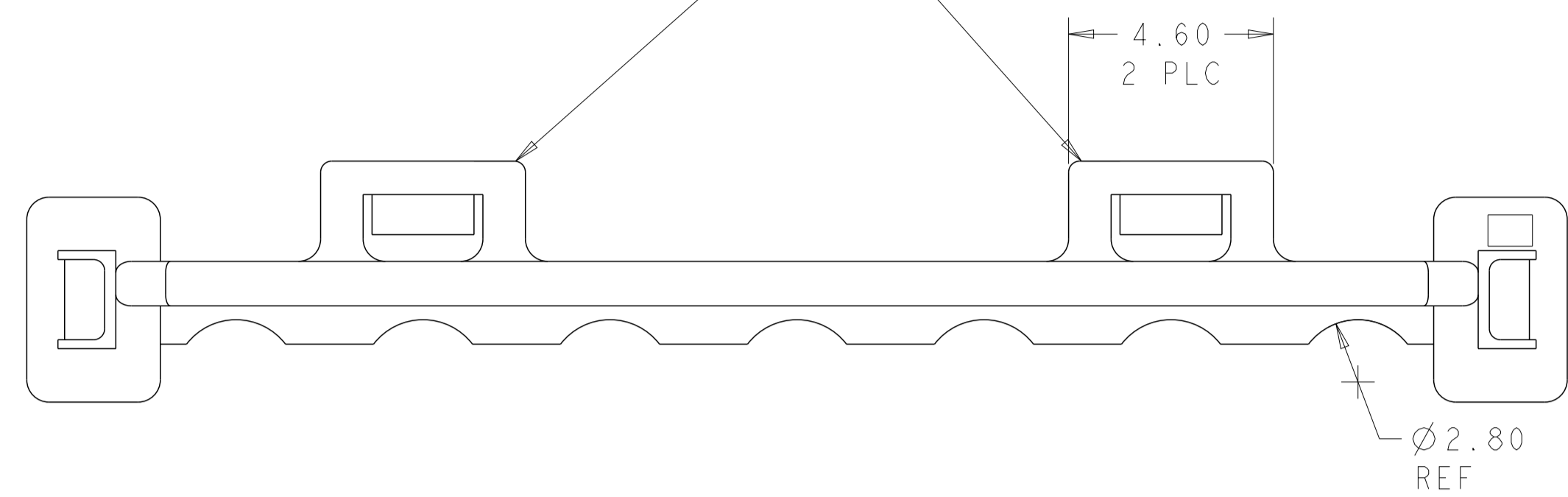
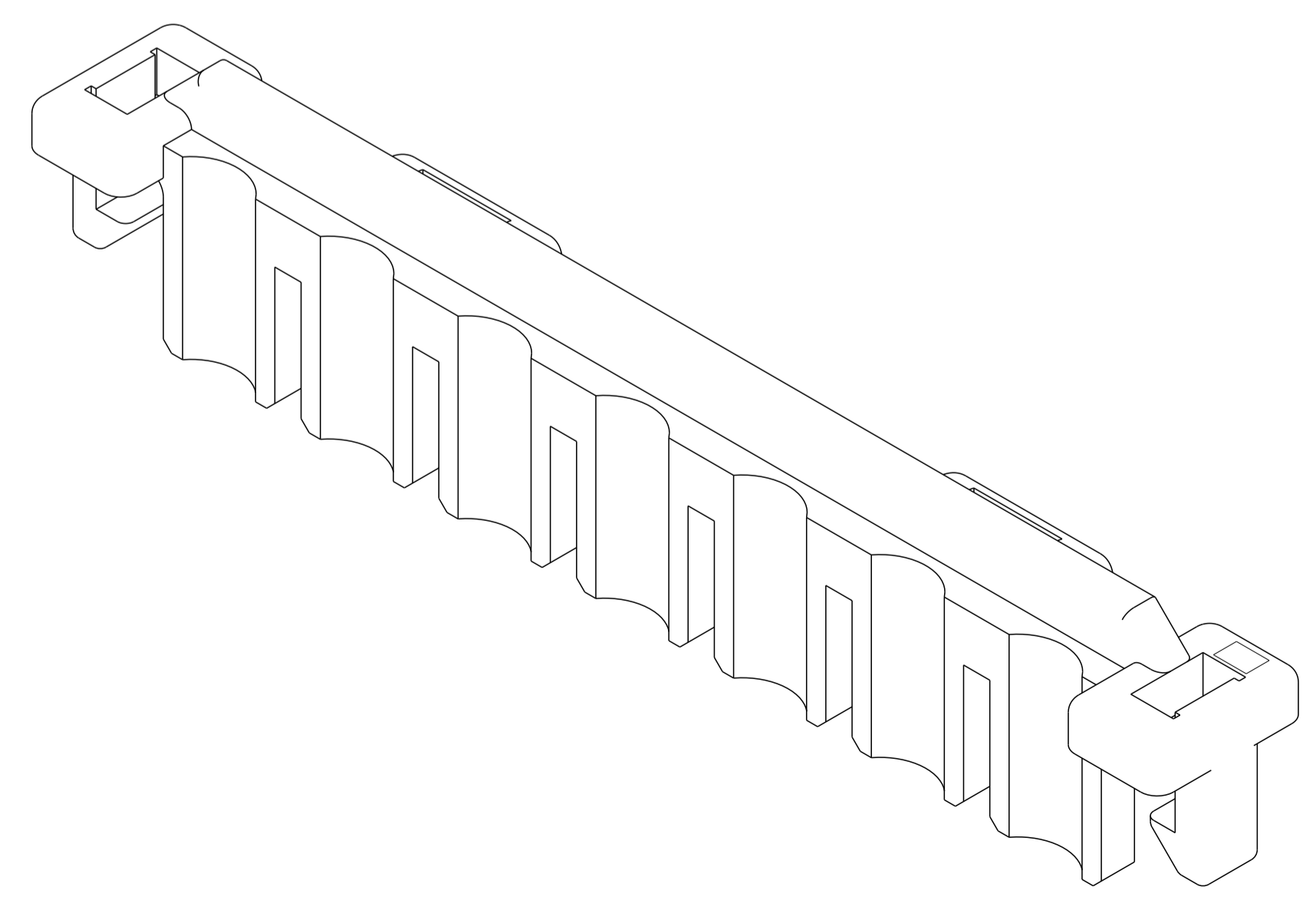
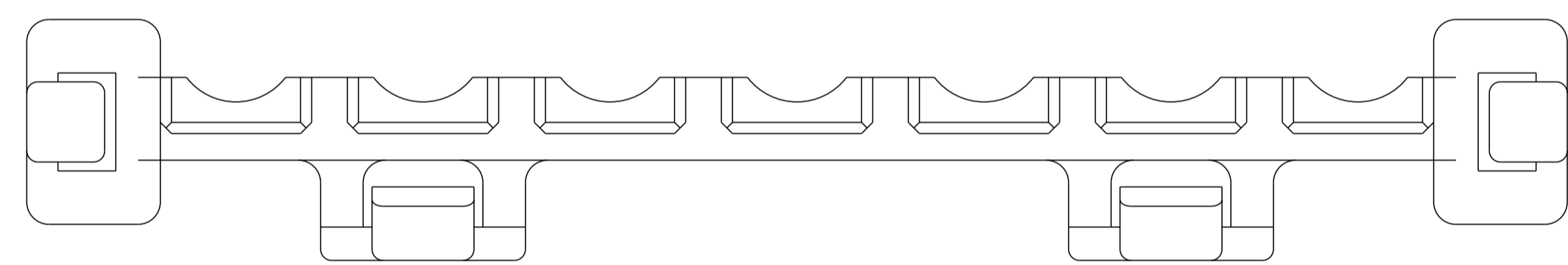
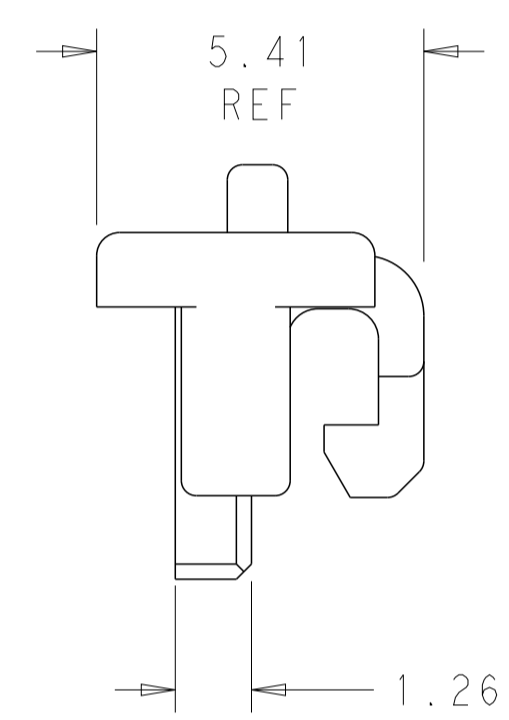
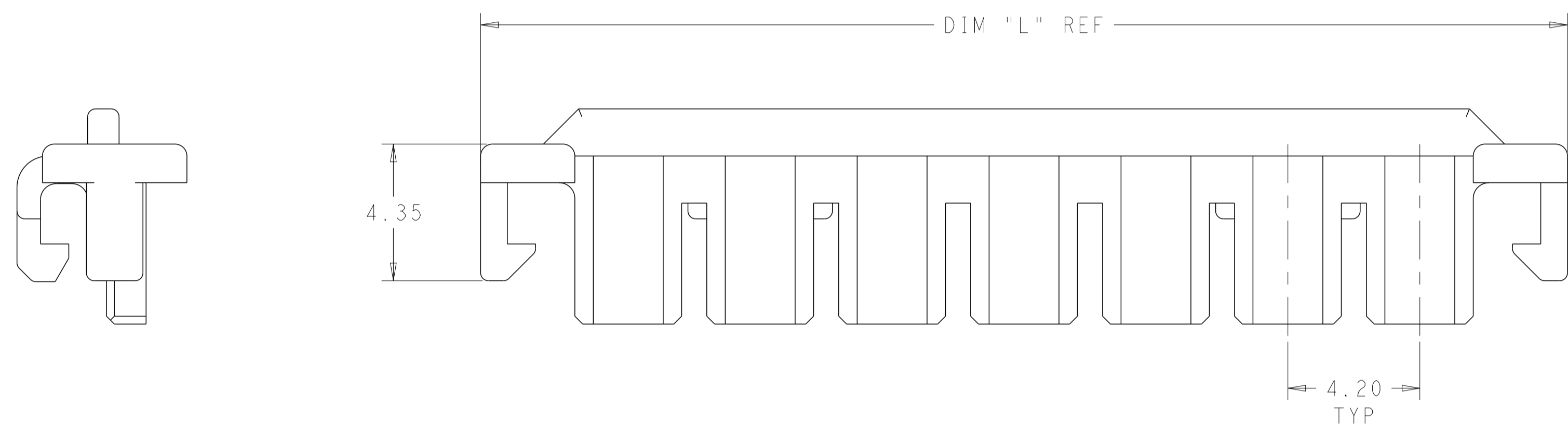


LOC		DIST		REVISIONS			
P	LTN	DESCRIPTION	DATE	DWN	APVD		
A1		REVISED PER ECR-14-008483	11JUN2014	NK	JR		

TOP LATCHES NOT PRESENT FOR POSITIONS 1-5



- USE WITH VAL-U-LOK HOUSINGS.
 - FOR USE WITH #22-#18 AWG LEAD WIRE WITH INSULATION DIA 2.16-2.79MM AND INSULATION CRIMP HEIGHT OF 3.05 MIN.
- △ SIDE LATCHES ONLY, NO TOP LATCHES FOR POSITIONS 1-5



1969608-7 SHOWN HERE

55.60	12	1-1969608-2
51.40	11	1-1969608-1
47.20	10	1-1969608-0
43.00	9	1969608-9
38.80	8	1969608-8
34.60	7	1969608-7
30.40	6	1969608-6
26.20	5	1969608-5 △3
22.00	4	1969608-4 △3
17.80	3	1969608-3 △3
13.60	2	1969608-2 △3
9.40	1	1969608-1 △3
DIM L	# OF POS	PART NO.

THIS DRAWING IS A CONTROLLED DOCUMENT.

DWN: S. EDWARDS 08JAN2013
 CHK: JR RUTH 03JUN13
 APVD: KURT RANDOLPH 04JUN13

NAME: KURT RANDOLPH

PRODUCT SPEC: -

APPLICATION SPEC: -

MATERIAL: NYLON 6/6
 FINISH: COLOR: BLACK

WEIGHT: -

Customer Drawing

SIZE: A1
 CAGE CODE: 00779
 DRAWING NO: 1969608

RESTRICTED TO: -

SCALE: 8:1
 SHEET: 1 OF 1
 REV: A1

TE Connectivity

HOUSING, TPA, VAL-U-LOK